

# Magnetic Adaptor

## Dome Range

For use with the dome range of low profile MiMo antennas. The Magnetic Adaptor provides a magnetic mount solution for antenna trials and drive-testing.

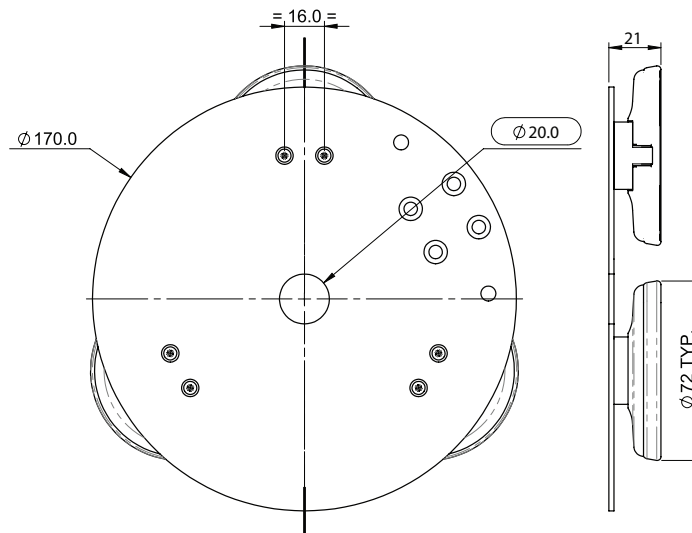
Using three heavy duty magnets fitted to a stainless steel metal plate, this is a very easy, simple and quick solution that can be fitted anywhere on the vehicle to evaluate the antenna's performance without drilling any holes.



### Mechanical Data

Clearance	0.82" (21mm)
Diameter	6.7" (170mm)
Material	Stainless Steel
Color	Black Powder Coat

## TECHNICAL DRAWING



FOR MORE INFORMATION, VISIT [CRADLEPOINT.COM](http://CRADLEPOINT.COM)

V2.7