

Magnetic M2M & IoT Antenna

Low Profile LTE Antenna

The low profile magnetic antenna is versatile and designed for 2G/3G/4G LTE, M2M and IoT applications. The low cost high performance magnetic mount antenna is ideal for temporary fit and at only 95mm (3.7") high, and protected by a robust high impact radome, the antenna is almost impervious to daily wear and tear.

The magnetic mount antenna offers excellent performance across a wide bandwidth covering global cellular and LTE frequencies from 698-960 MHz and 1710-3800MHz making it an extremely versatile antenna. Although intended for magnetic mounting on a conductive ground plane the antenna can also be used for desk mounting applications with some impact on performance.

Supplied with a convenient 2m (6') length of flexible RG174 cable and a SMA plug connector, the mag mount antenna is easy to install and compatible with a large range of modems.



Applications:



Kiosk



Digital Signage



Security Camera



Industrial

Electrical Data

Frequency Range	698-960 / 1710-3800 MHz	
Operational Bands	2G/3G/4G LTE	
Radiation Pattern	Omni-directional	
VSWR	< 2.5:1	
Peak Gain (excl. cable loss) †	698-960 MHz	2.5dBi
	1710-2170 MHz	4dBi
	2396-2700 MHz	3dBi
	3400-3800 MHz	2dBi
Polarization	Vertical	
Nominal Impedance	50Ω	
Max Input Power	25W	

† Peak gain simulated off a groundplane and does not include cable attenuation

Mechanical Data

Dimensions	Height	3.7" (95mm)
	Diameter	1.89" (48mm)
Operating Temperature	-40° / 176°F (-40° / +80°C)	
Material	U.V. stable, impact resistant ASA, Aluminium	
Ingress Protection	IPX6	
Color	Black	
Weight	150g	

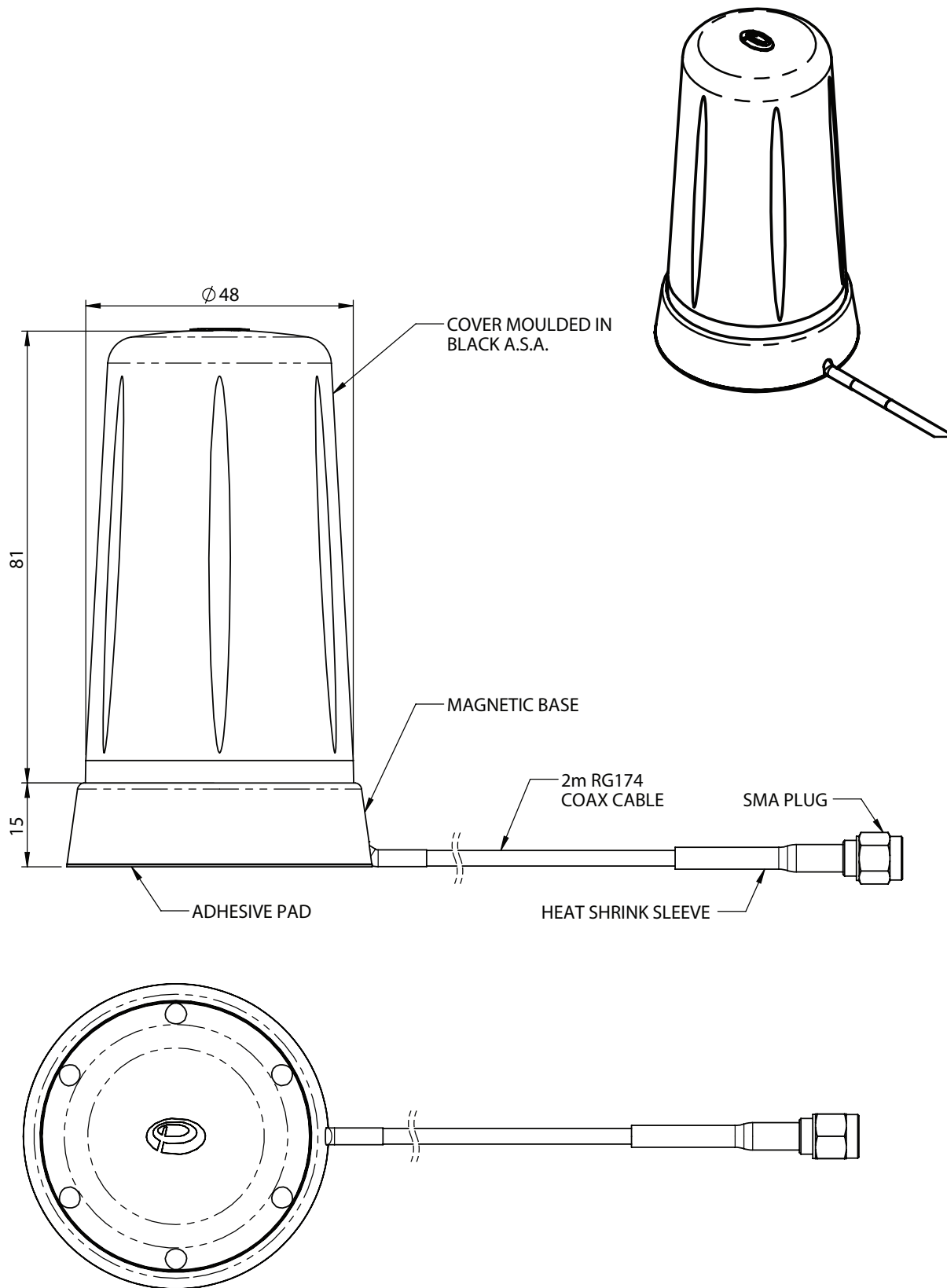
Cable Data

	CELL
Type	RG174
Length	6.5ft (2m)
Termination	SMA Plug

Mounting Data

Mounting Type	Magnetic
---------------	----------

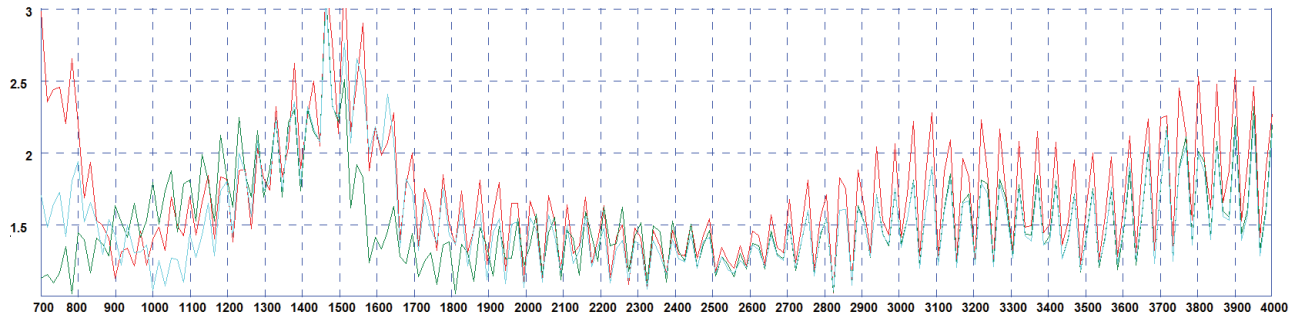
TECHNICAL DRAWING



ELECTRICAL DATA

TYPICAL VSWR

Typical VSWR*



* Green Line: Measured on a 400x400mm ground plane with 2m (6'6") RG174 cable
Red Line: Measured with no ground plane with 2m (6'6") RG174 cable
Blue Line: Measured with SP5-0470 mounting bracket with no ground plane with 2m (6'6") RG174 cable

FOR MORE INFORMATION, VISIT CRADLEPOINT.COM