

Magnetic M2M & IoT Antenna

Solution: Cradlepoint Certified Fixed Site Antenna ■ **Application:** Kiosk / Digital Signage / Security Camera / Industrial

The low profile magnetic antenna is versatile and designed for 2G/3G/4G LTE, M2M and IoT applications. The low cost high performance magnetic mount antenna is ideal for temporary fit and at only 95mm (3.7") high, and protected by a robust high impact radome, the antenna is almost impervious to daily wear and tear.

The magnetic mount antenna offers excellent performance across a wide bandwidth covering global cellular and LTE frequencies from 698-960 MHz and 1710-3800MHz making it an extremely versatile antenna. Although intended for magnetic mounting on a conductive ground plane the antenna can also be used for desk mounting applications with some impact on performance.

Supplied with a convenient 2m/6.5ft length of flexible RG174 cable and terminating in a SMA plug, the mag mount antenna is easy to install and compatible with a large range of modems.



Electrical Data

Frequency Range	698-960 / 1710-3800 MHz		
Operational Bands	2G/3G/4G LTE		
Radiation Pattern	Omni-Directional		
VSWR	< 2.5:1		
Peak Gain (Excl. Cable Loss)	698-960 MHz	2.5dBi	
	1710-2170 MHz	4dBi	
	2396-2700 MHz	3dBi	
	3400-3800 MHz	2dBi	
Polarization	Vertical		
Nominal Impedance	50Ω		
Max Input Power	25W		

* Peak gain simulated off a ground plane and does not include cable attenuation

Mechanical Data

Dimensions	Height	95mm (3.7")
	Diameter	48mm (1.89")
Operating Temperature	-40° / 176°C (-40° / +80°F)	
Material	U.V. stable, Impact Resistant ASA, Aluminium	
Ingress Protection	IPX6	
Color	Black	
Weight	150g	

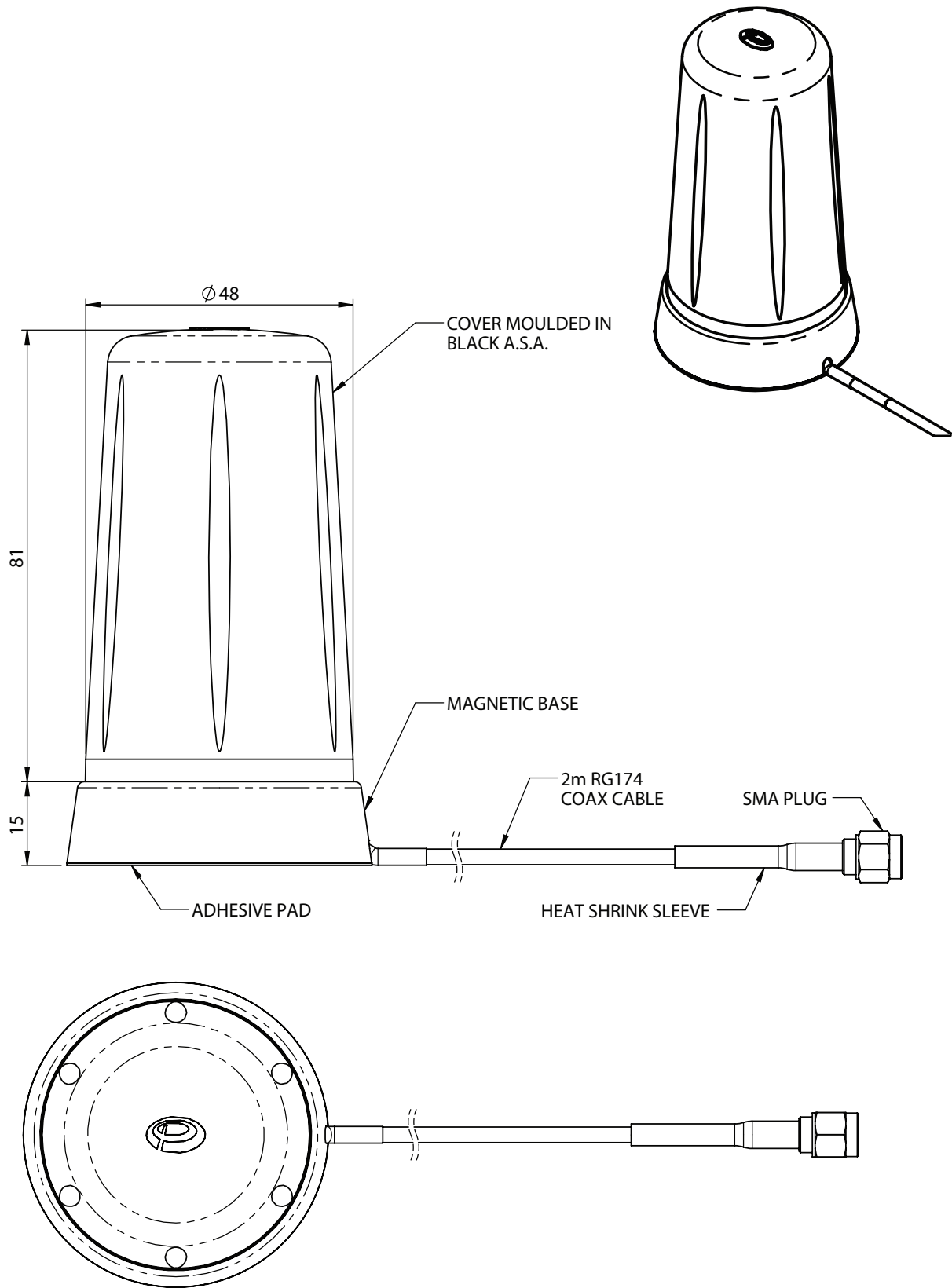
Cable Data

	Cell
Type	RG174
Length	6.5ft (2m)
Termination	SMA Plug

Mounting Data

Mounting Type	Magnetic
---------------	----------

Technical Drawing

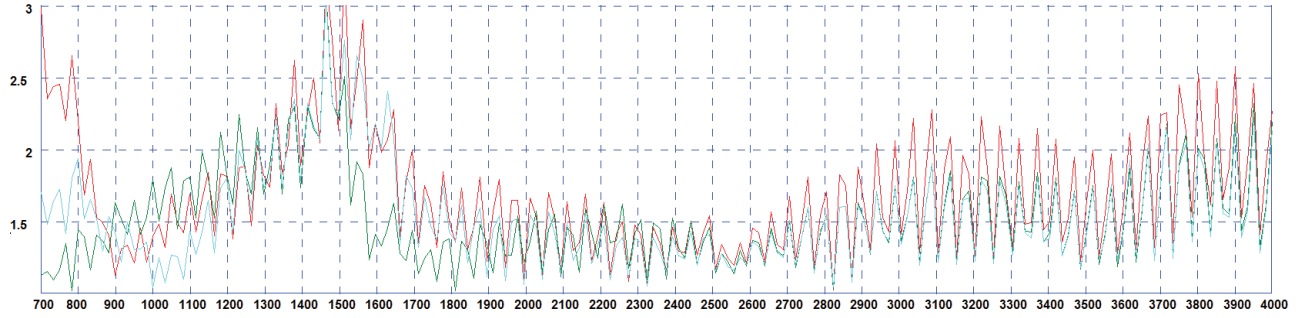


Electrical Data

Typical VSWR

* Green Line: Measured on a 400x400mm ground plane with 2m (6'6") RG174 cable.
Red Line: Measured with no ground plane with 2m (6'6") RG174 cable.
Blue Line: Measured with SP5-0470 mounting bracket with no ground plane with 2m (6'6") RG174 cable.

Typical VSWR



Learn more at <https://cradlepoint.com/fixed-antennas>