

# Directional MiMo LTE Wall Mount

**Solution:** Cradlepoint Certified Fixed Site Antenna ■ **Application:** Branch / Primary / Failover / Retail

---

The Directional MiMo LTE Wall Mount Antenna is a high directional gain 2x2 MiMo signal boosting antenna for 2G/3G/4G LTE networks. Incorporating two separately fed wideband elements in a single housing the antenna is equipped to provide client side MiMo and diversity support for 2G/3G/4G LTE networks. With 6dBi of peak gain at 698-960MHz and 9dBi peak gain at 1710-2700MHz the antenna provides extra gain for next generation networks.

The rugged, weather resistant housing is designed for wall mounting and wall and mast mount brackets are provided. Supplied with fitted low loss double shielded twin cable the antenna minimizes exposed connector joints and simplifies cable management for easy installation. The antenna is a cost effective value added product for network operators and service providers ensuring a stable link with improved data rates.

For proper installation this antenna requires the use of two extension cables available in 10m/33ft, 15m/50ft and 30m/100ft cable length options.



## Electrical Data

Frequency Range	Elements 1 & 2	698-960 / 1710-2700 MHz
Operational Bands		2G/3G/4G LTE
Radiation Pattern		Directional
Nominal Polarization		Vertical
Peak Gain (Excl. Cable Loss)	698-960 MHz	6dBi
	1710-2170 MHz	9dBi
	2396-2700 MHz	6dBi
Efficiency (Excl. Cable Loss - All Bands)		> 65%
Correlation Co-efficient (All Bands)		< 0.05
Nominal Impedance		50 Ω
Max Input Power		20W

\* Peak gain simulated off a ground plane and does not include cable attenuation

## Mechanical Data

Dimensions	Height	230mm (9")
	Width	180mm (7.1")
	Depth	94mm (3.7")
Operating Temperature		-40° / 176°C (-30° / +80°F)
Material		U.V. Stable, Impact Resistant ASA
Color		RAL9010 (Pure White)
Ingress Protection		IP66
Weight		955g

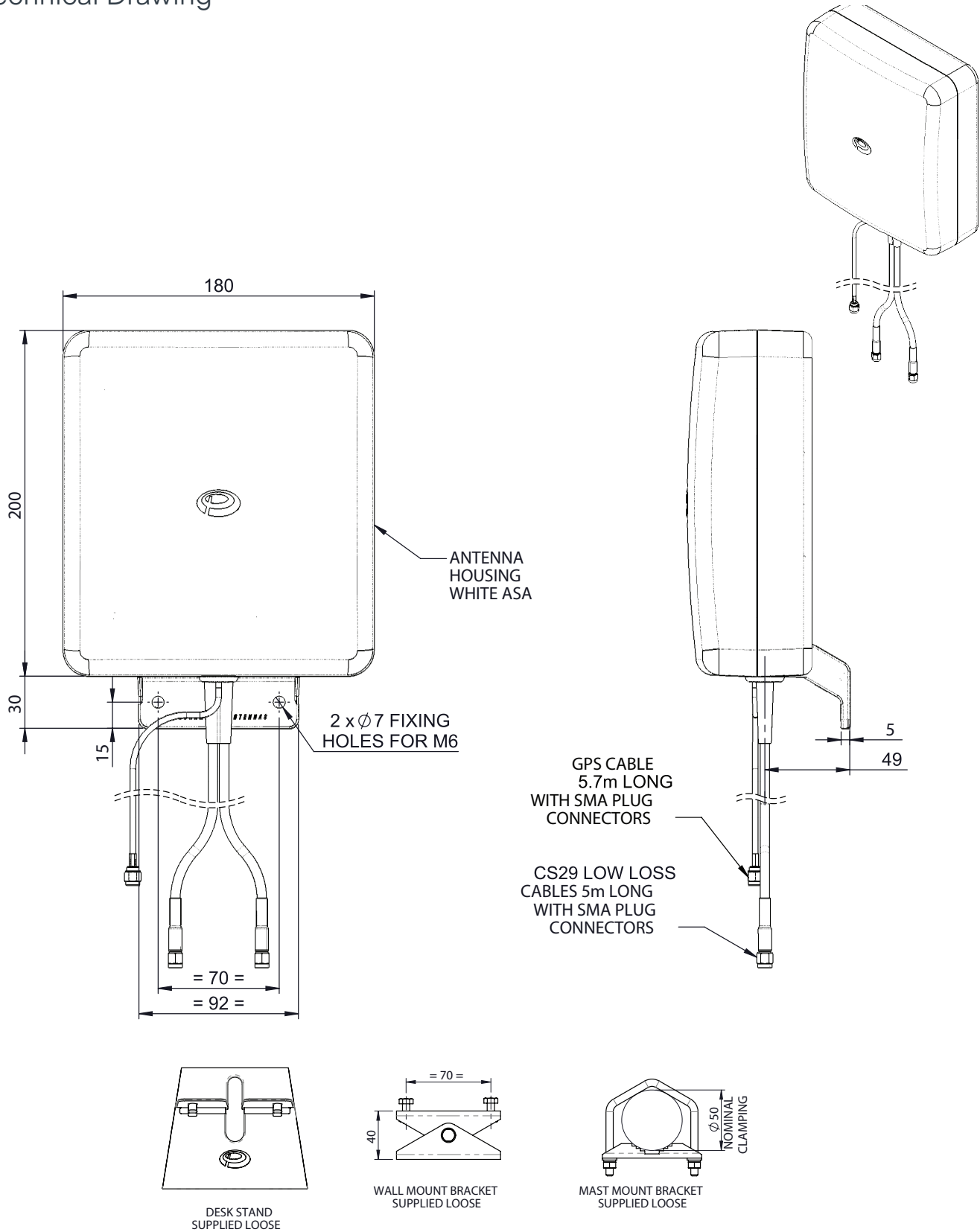
## Cable Data

	Cell
Type	Double Shielded RG58
Length	1ft (0.3m)
Termination	N Jack

## Mounting Data

Mounting Type	Wall Mount / Mast Mount / Desk Mount
Pole Diameter	0.78 - 1.96" (20-50mm)
Mounting Bracket Material	Stainless Steel / Aluminium

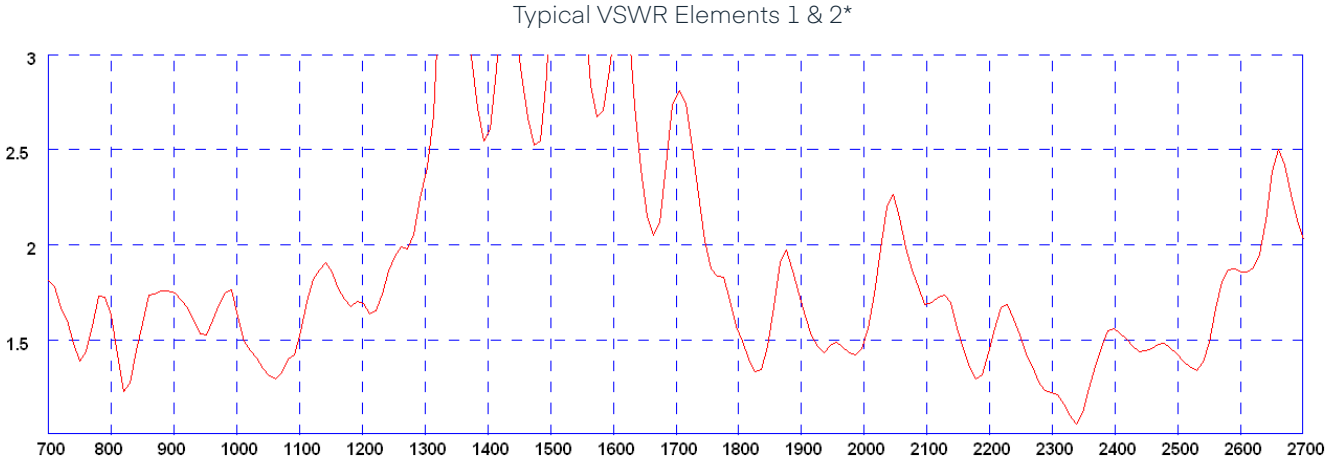
# Technical Drawing



# Electrical Data

## Typical VSWR

\*VSWR measured with 0.5m (20") of CS29 cable.



Learn more at <https://cradlepoint.com/fixed-antennas>

