

Directional MiMo Wall Mount

Directional Wall/Post Mount Antenna

The Directional MiMo Wall Mount antenna is a high directional gain 2x2 MiMo signal boosting antenna for 2G/3G/4G LTE networks using Cradlepoint AER2200, AER1600 and CBA850 Series routers. Incorporating two separately fed wideband elements in a single housing the antenna is equipped to provide client side MiMo and diversity support for 2G/3G/4G LTE networks. With 6dBi of peak gain at 698-960MHz and 9dBi peak gain at 1710-2700MHz the antenna provides extra gain for next generation networks.

The rugged, weather resistant housing is designed for wall mounting with wall and mast mount brackets are provided. Supplied with fitted low loss double shielded twin cables the antenna minimises exposed connector joints and simplifies cable management for easy installation.

The Failover MiMo LTE antenna is a cost effective value added product for network operators and service providers ensuring a stable link with improved data rates.



Applications:



Failover



Retail



Gas /
Convenience Store



School / Higher Ed



Electrical Data

Frequency Range	Elements 1 & 2	698-960 / 1710-2700MHz
Operational Bands	2G / 3G / 4G LTE	
Radiation pattern	Directional	
Nominal Polarization	Vertical	
Peak Gain (excl cable loss)	698-960 MHz	6dBi
	1710-2170 MHz	9dBi
	2396-2700 MHz	6dBi
Efficiency (excluding cable loss - all bands)	> 65%	
Correlation Co-efficient (all bands)	< 0.05	
Nominal Impedance	50Ω	
Max Input Power	20 Watts	

* Peak gain simulated off a groundplane and does not include cable attenuation

Mechanical Data

Dimensions	Height	9" (230mm)
	Width	7.1" (180mm)
	Depth	3.7" (94mm)
Operating Temperature	-40° / 176°F (-30° / +80°C)	
Material	U.V. stable, impact resistant ASA	
Color	RAL9010 (Pure White)	
Ingress Protection	IP66	
Weight	1130g	

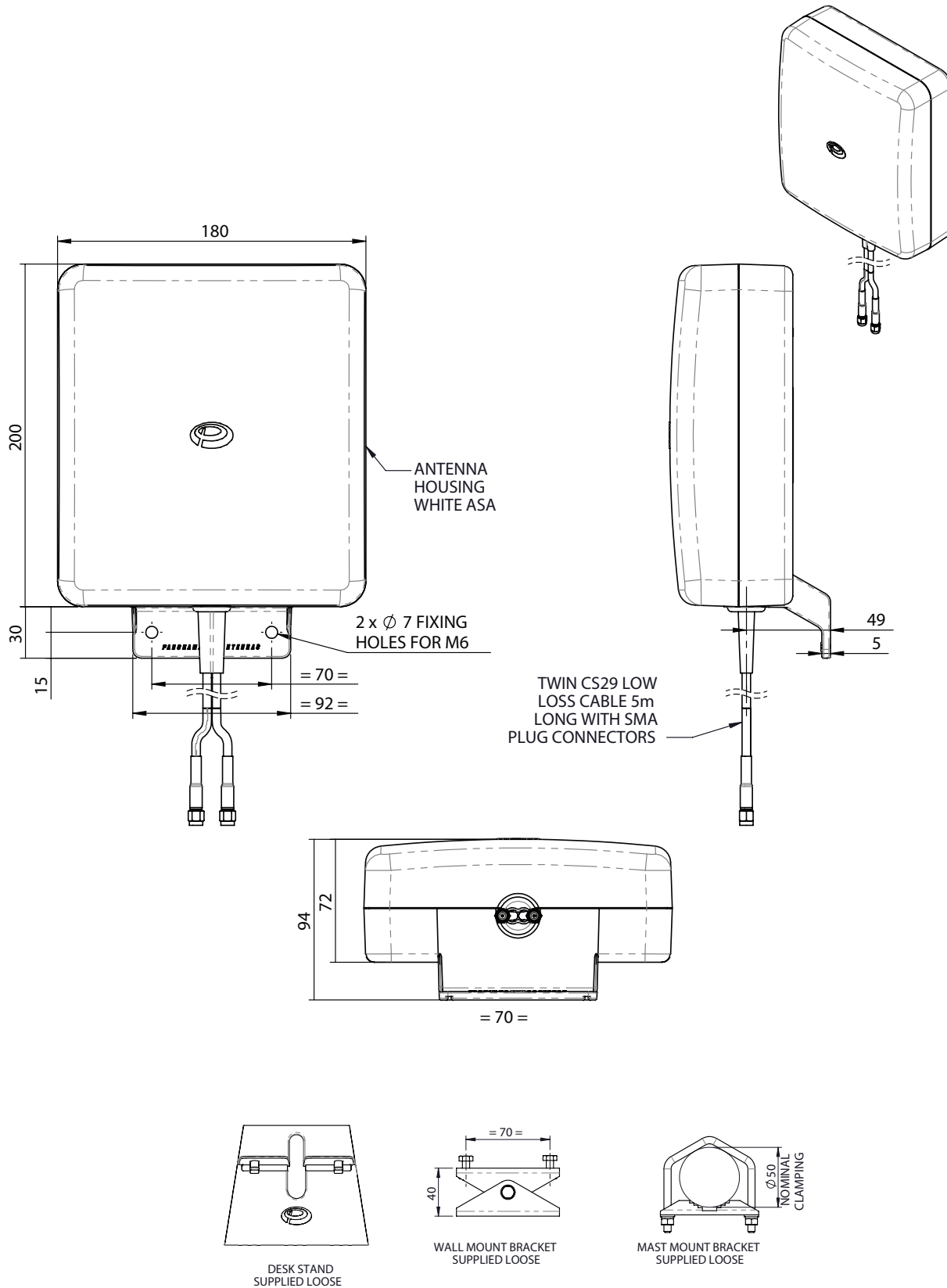
Cable Data

	CELL
Type	Double Shielded RG58
Length	16ft (5m)
Termination	SMA Plug

Mounting Data

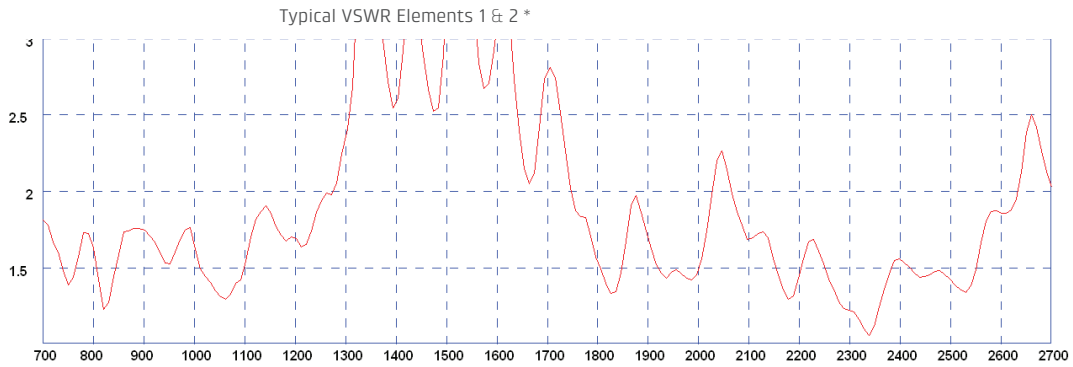
Mounting Type	Wall mount / mast mount / desk mount
Pole Diameter	0.78 - 1.96" (20-50mm)
Mounting Bracket Material	Stainless steel / Aluminium

TECHNICAL DRAWING



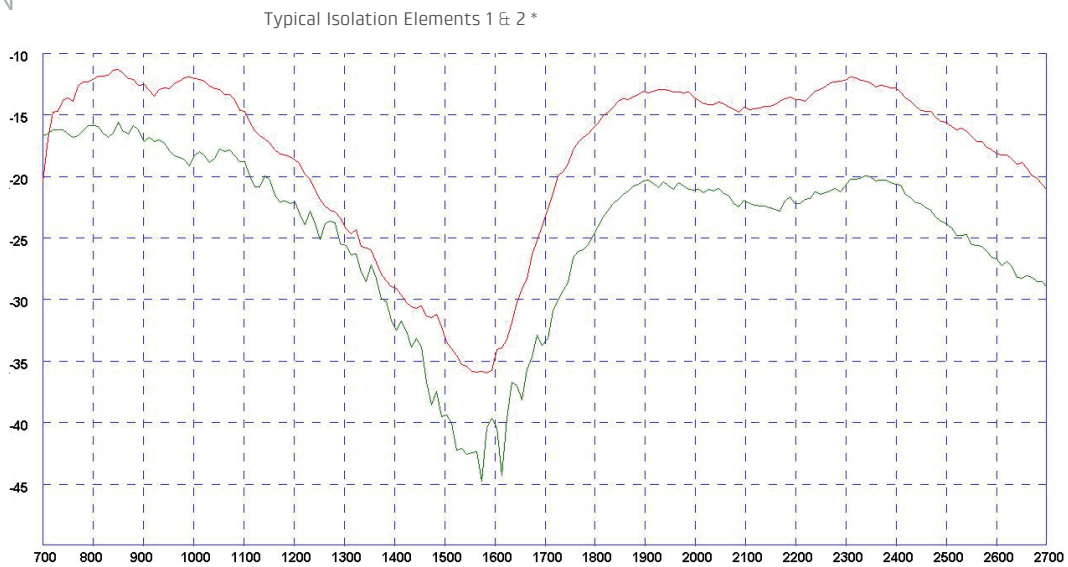
ELECTRICAL DATA

VSWR



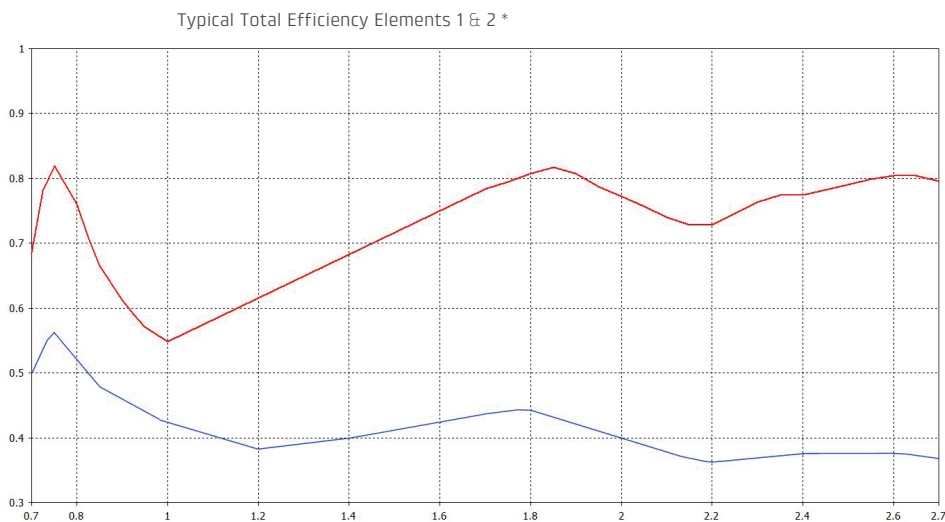
*VSWR measured with 0.5m (20") of CS29 cable.

ISOLATION



*Green Trace = typical isolation with 5m (17") of CS29 cable Red Trace = typical isolation without cable simulated in CST Microwave Studio

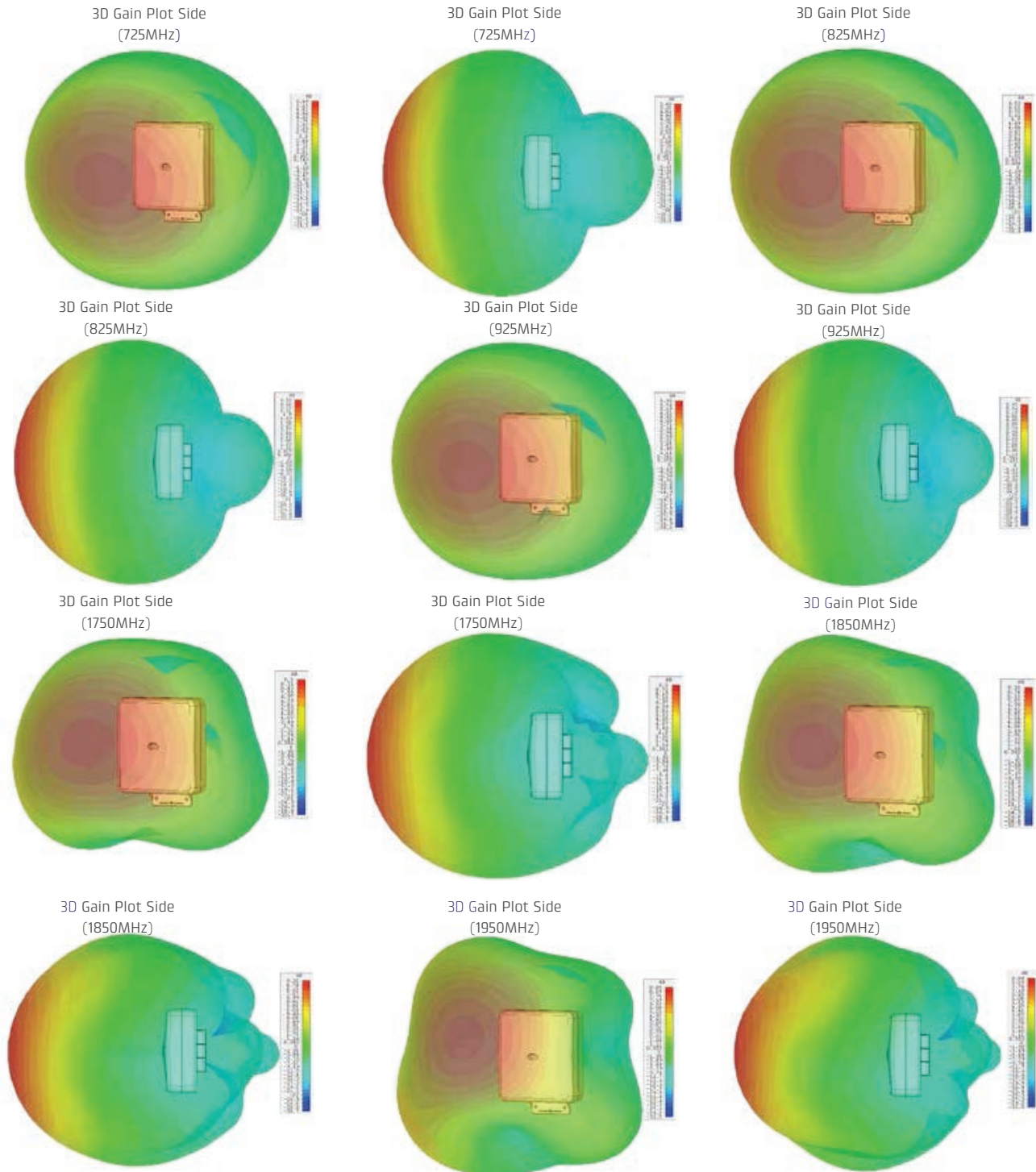
EFFICIENCY



*Blue Trace = typical total efficiency with 5m (17") of CS29 cable Red Trace = typical total efficiency without cable simulated in CST Microwave Studio

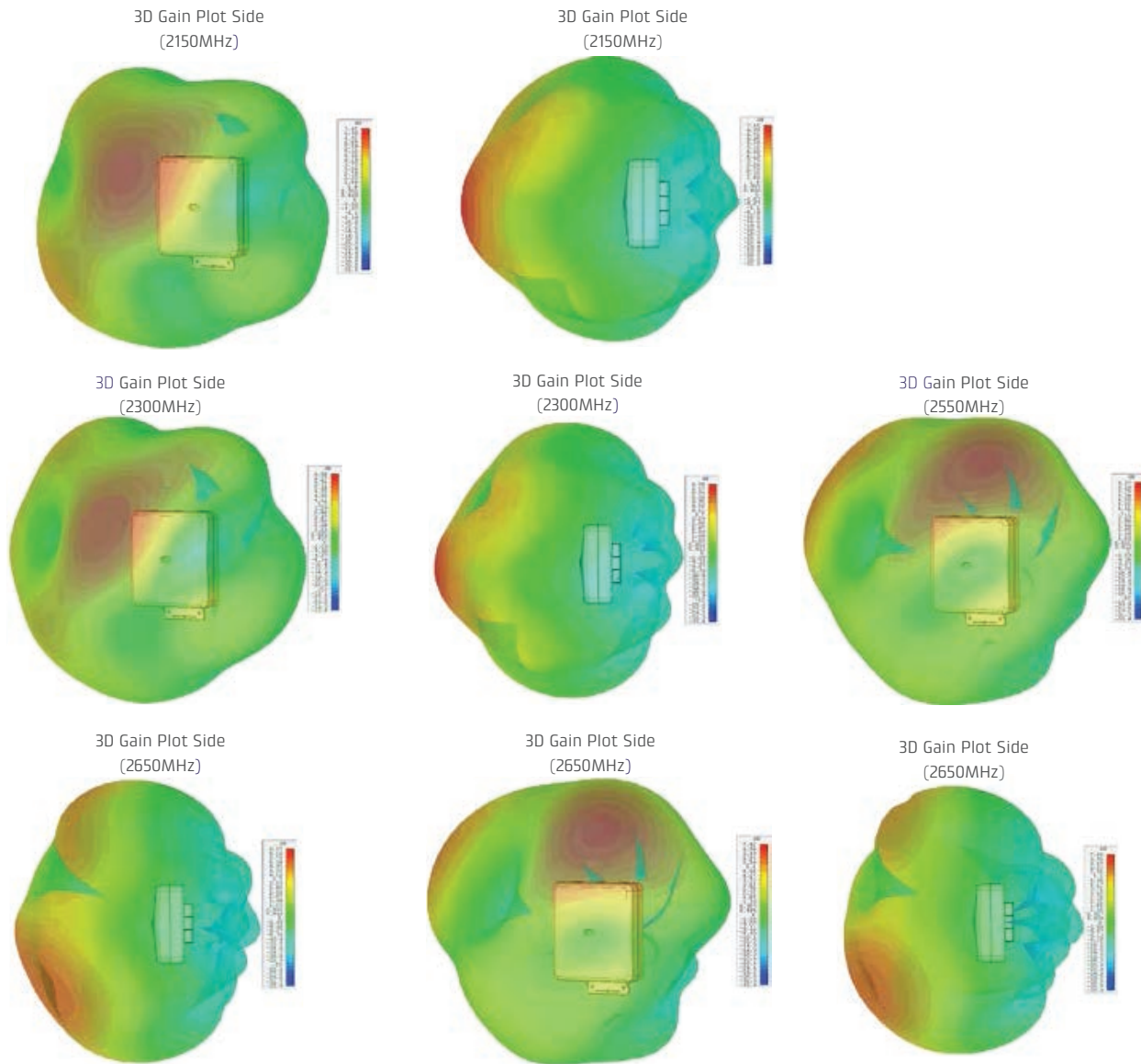
RADIATION PATTERNS

3D RADIATION PATTERNS - 2G/3G/4G LTE ELEMENTS 1 & 2*



*All pattern and gain measurements simulated in CST studio without additional cable.

RADIATION PATTERNS



*All pattern and gain measurements simulated in CST studio without additional cable.

FOR MORE INFORMATION, VISIT CRADLEPOINT.COM